



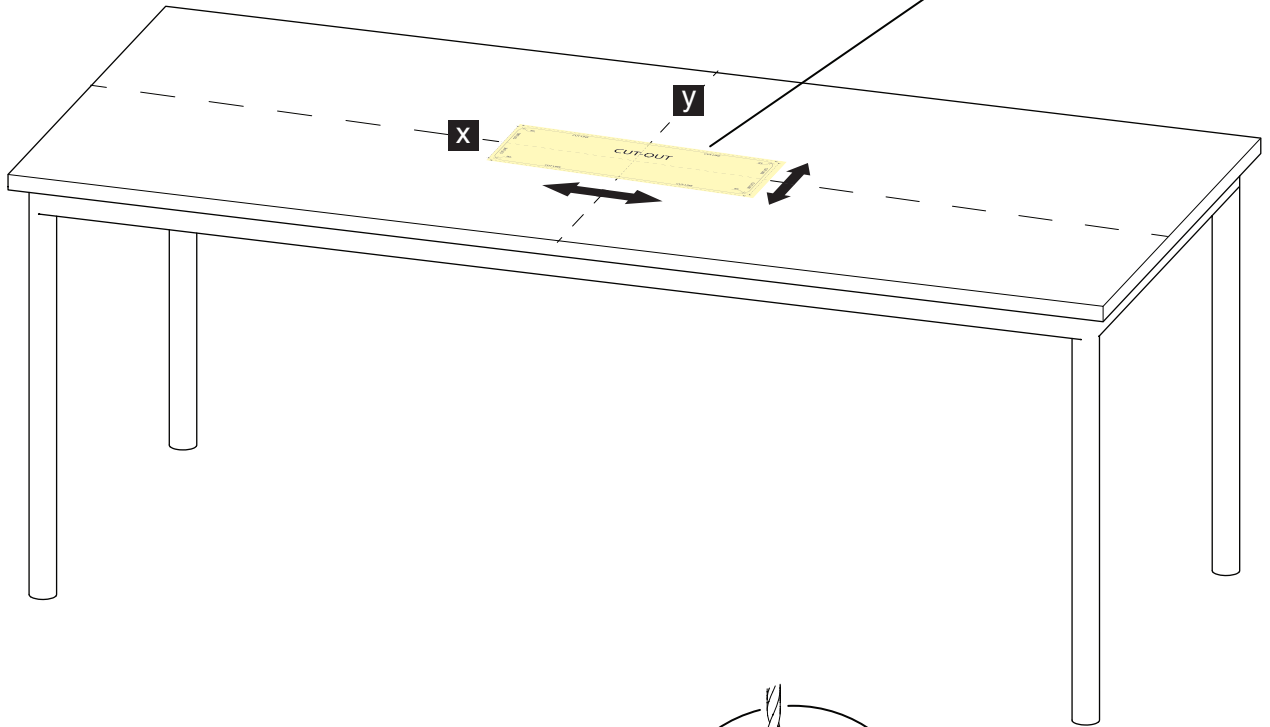
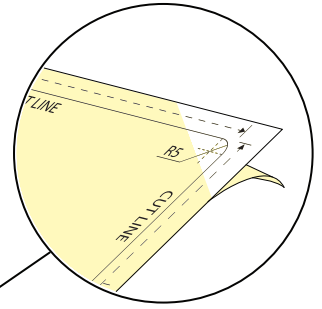
Installation guide

NOTE! Before installation, please verify that all measurements are accurate and the proper tools are used. The seller is not responsible for any defects resulting from improper installation.

This assembly guide is intended for general guidance only. Please note that table frames and table tops may vary in size and appearance, so adjustments may be required based on your specific product.

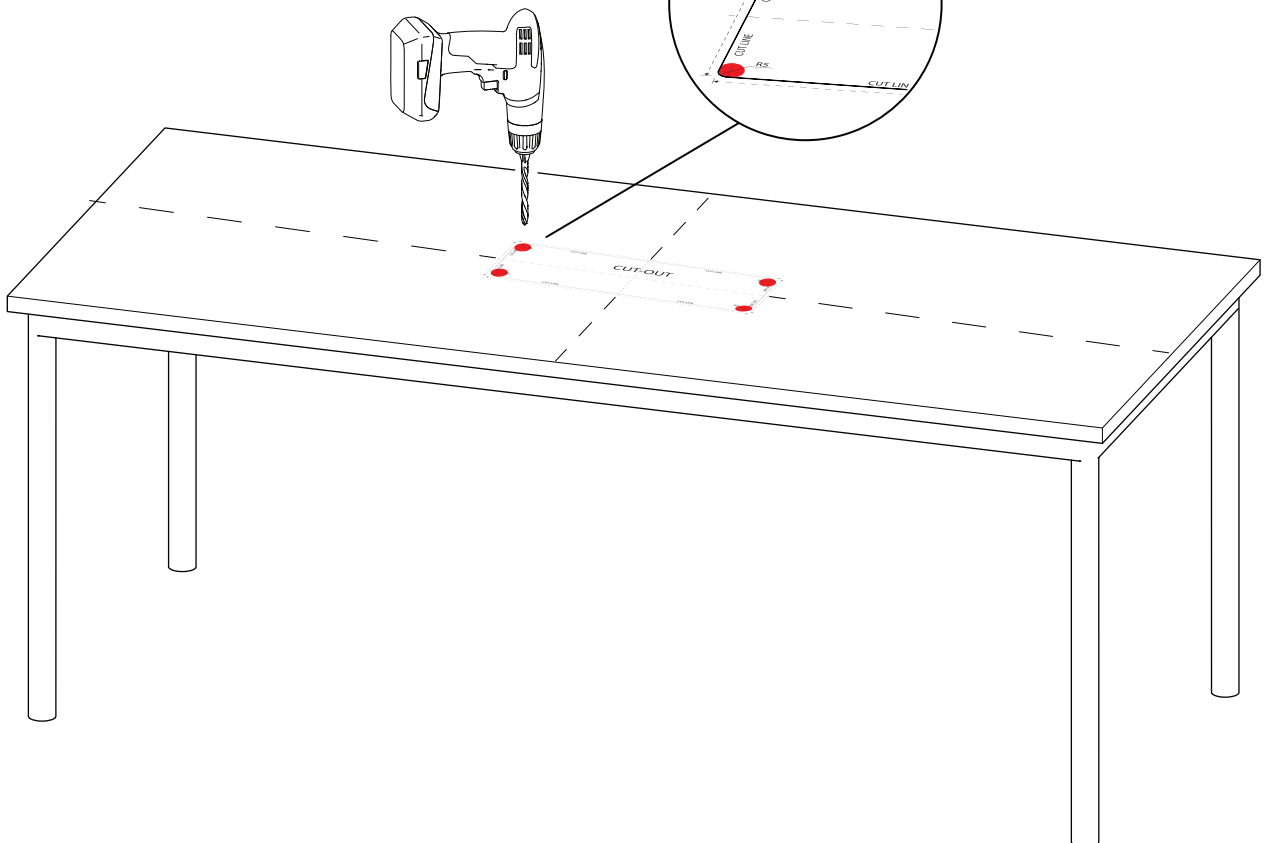
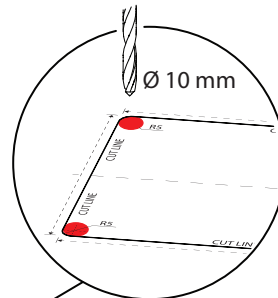
1

Before you start making the hole, ensure that there is enough space around the desired placement of the hole. Place your cut-out guide on your table top, preferably centered in the x and y-axis. Peel off the back of the guide and stick it to the table top.



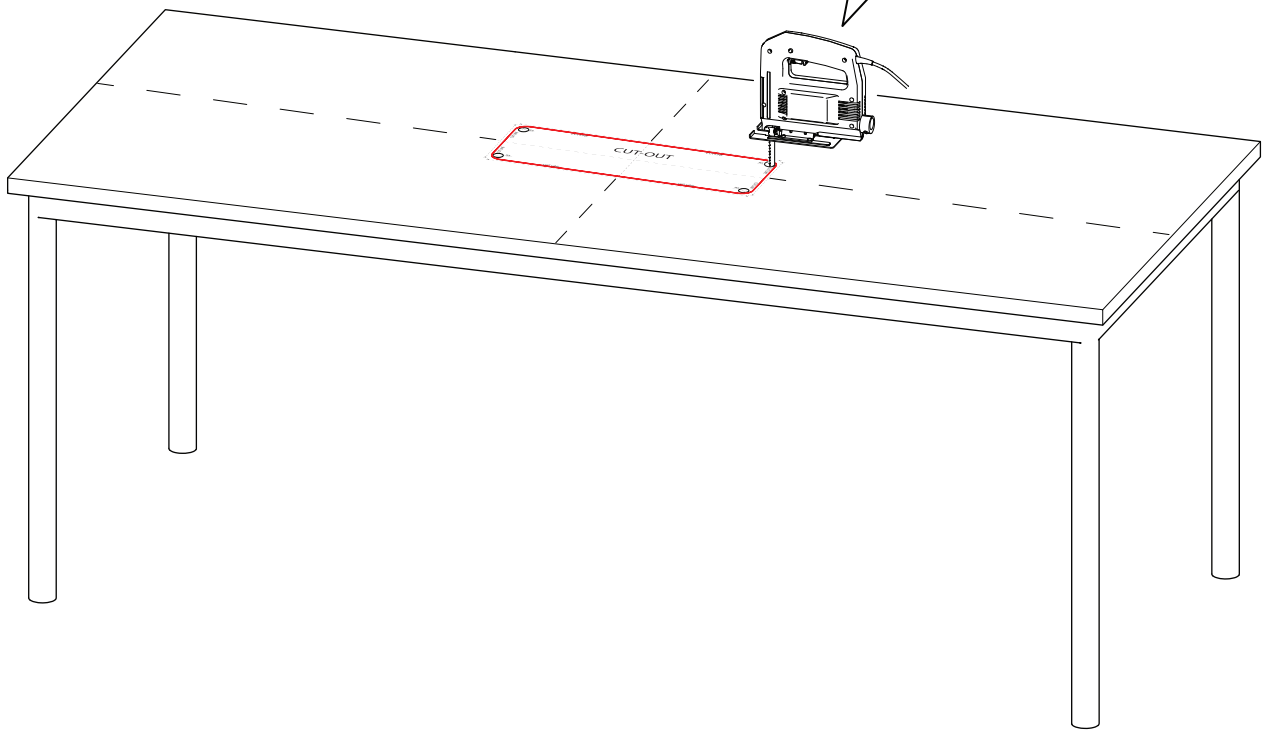
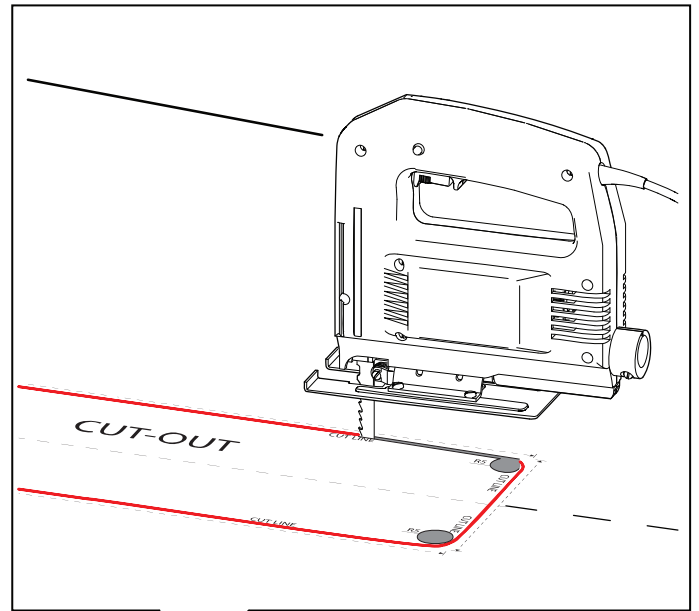
2

Using a 10mm drill bit, drill all four corners. Avoid drilling outside the marked cut-lines.



3

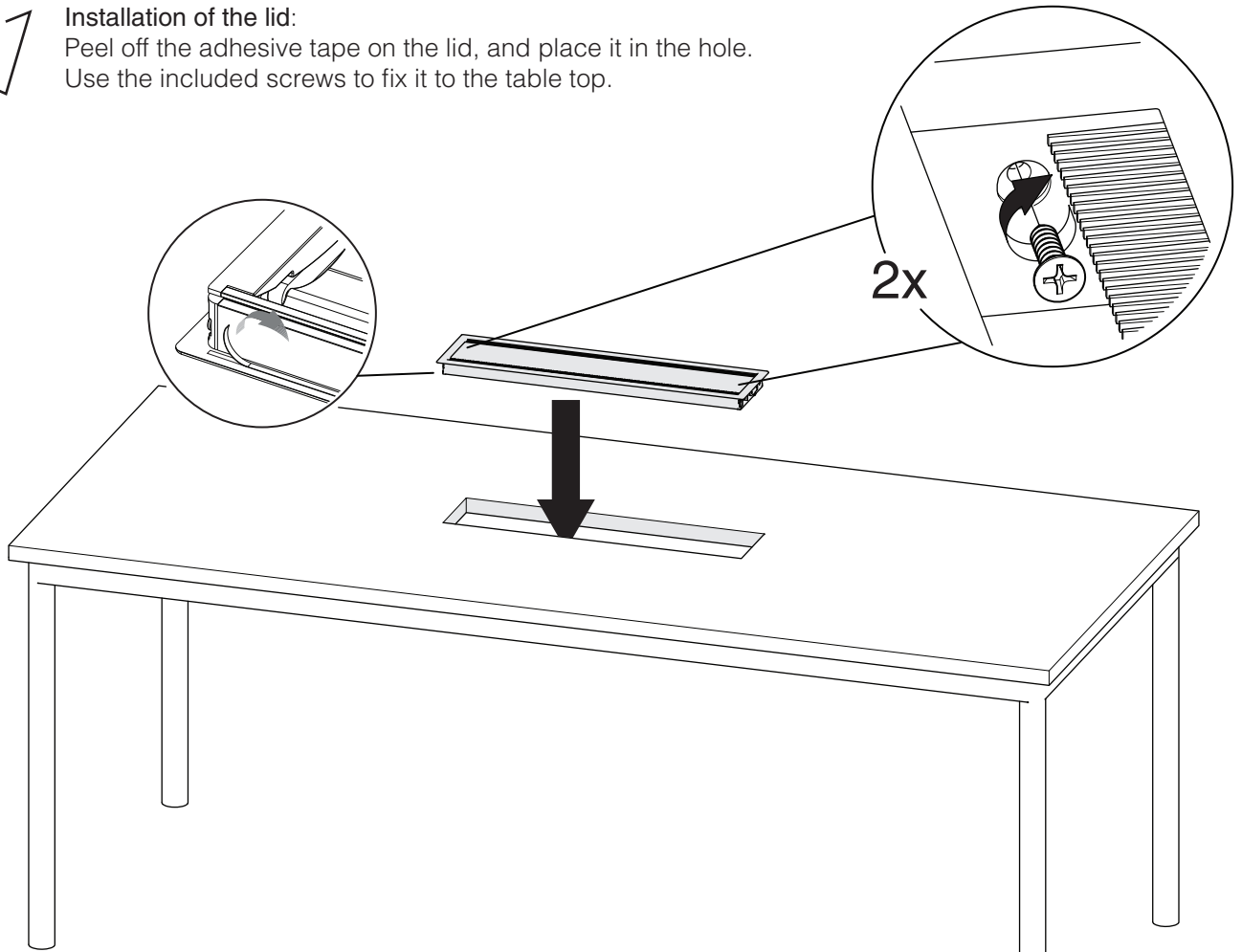
Cut along the line with a jigsaw or plunge saw.
Avoid cutting outside the cut-line.
Remove the remaining cutting guide sticker.



4

Installation of the lid:

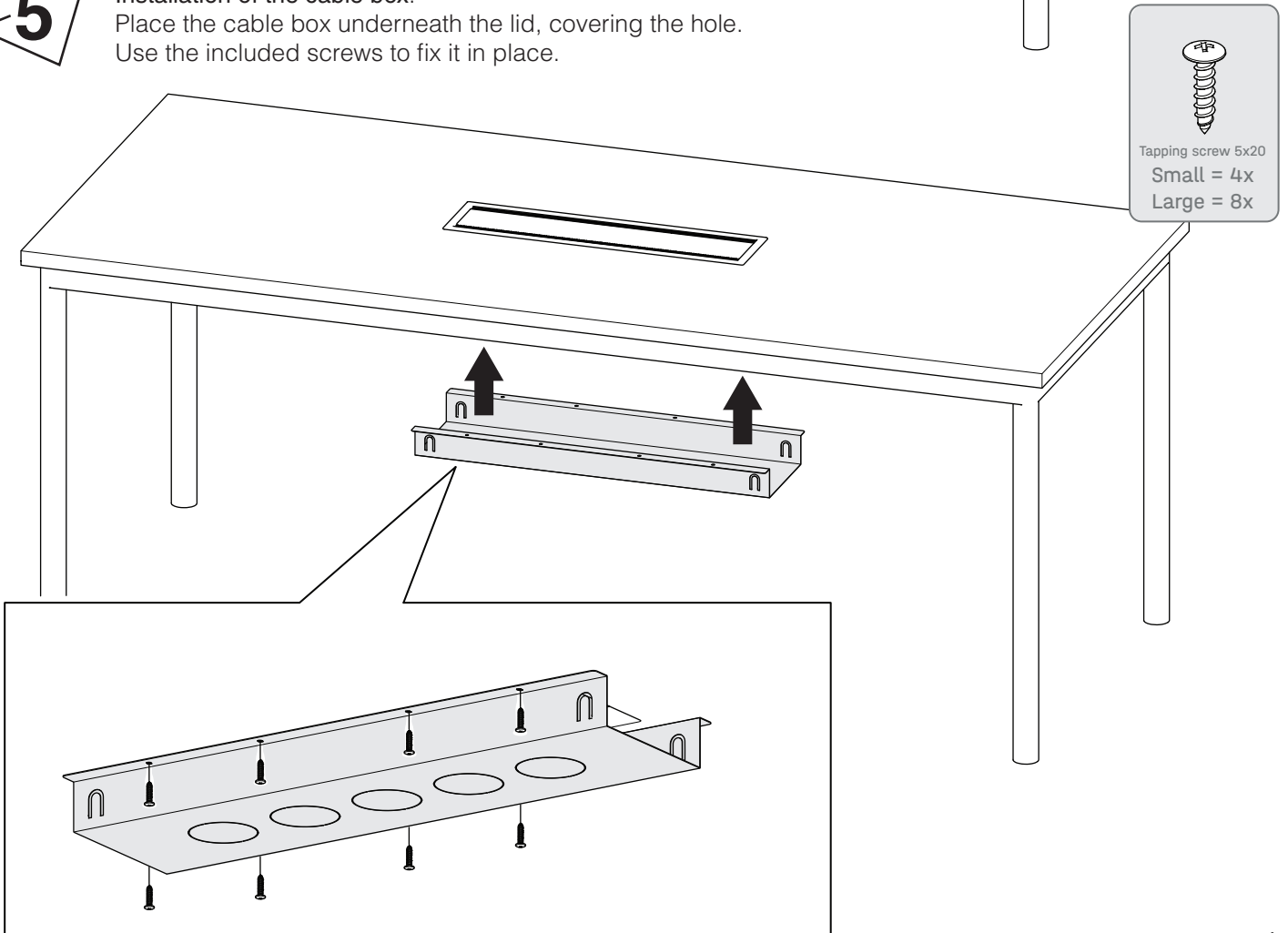
Peel off the adhesive tape on the lid, and place it in the hole. Use the included screws to fix it to the table top.



5

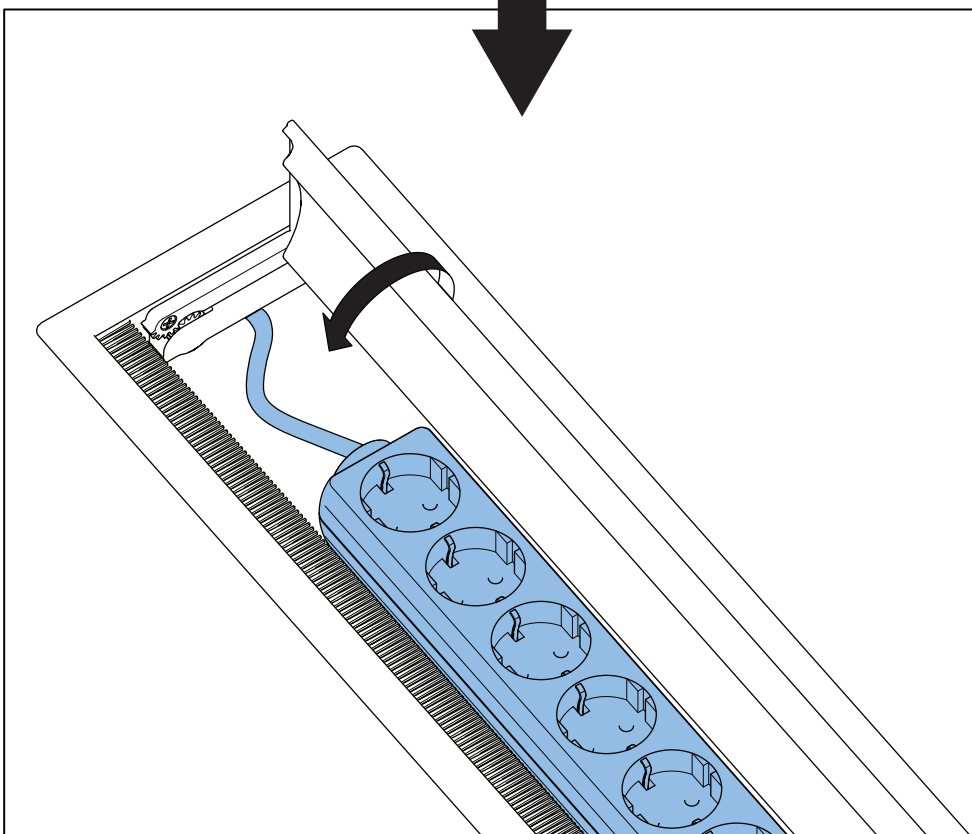
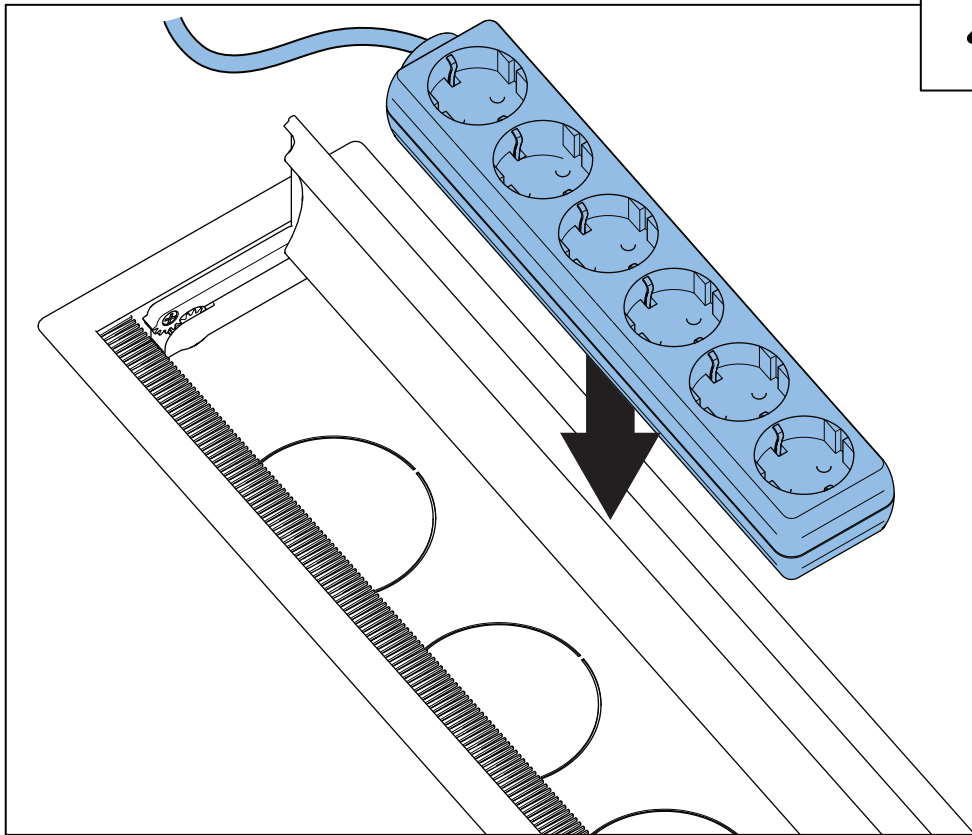
Installation of the cable box:

Place the cable box underneath the lid, covering the hole. Use the included screws to fix it in place.



6

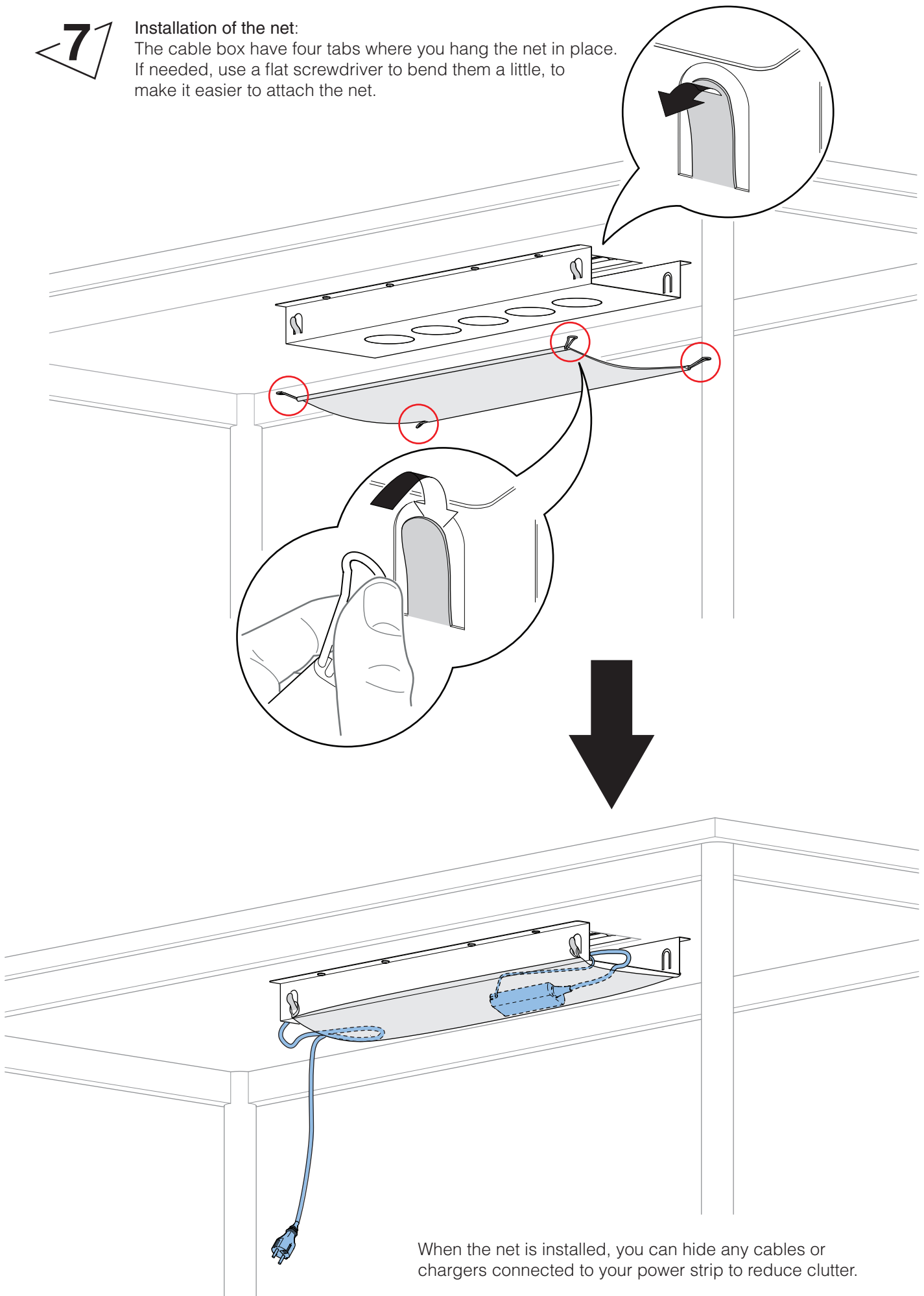
Cable box with power strip only:
Lift the lid and place the power strip in place.



7

Installation of the net:

The cable box have four tabs where you hang the net in place. If needed, use a flat screwdriver to bend them a little, to make it easier to attach the net.

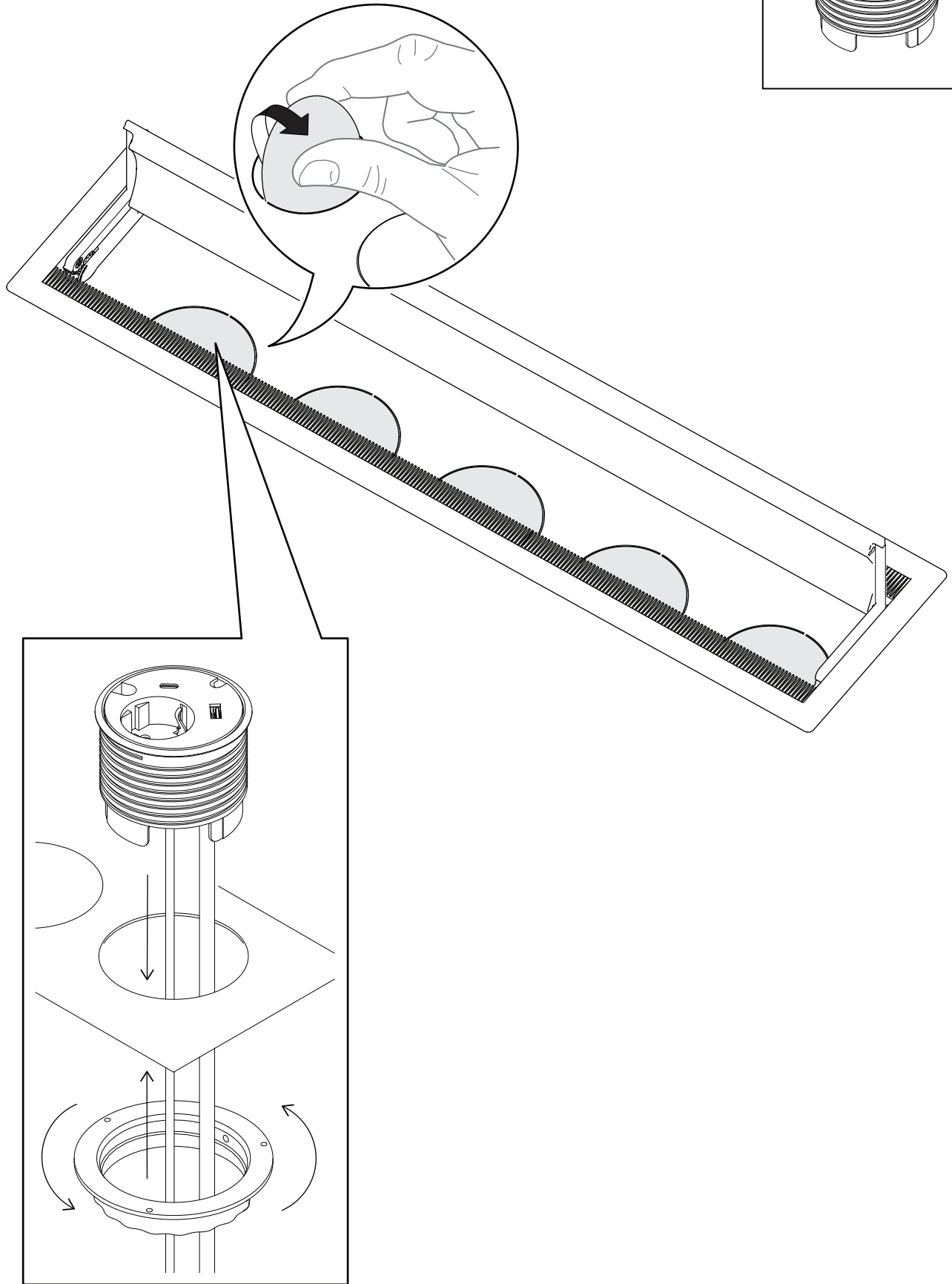
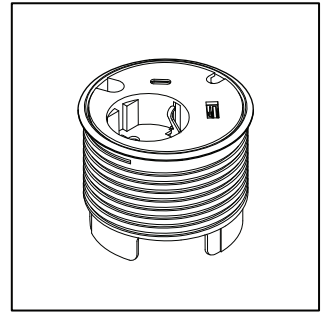


When the net is installed, you can hide any cables or chargers connected to your power strip to reduce clutter.

8

Cable box with power modules:

The cable box is designed with holes for installing power modules. Simply bend the circular-shaped metal plates back and forth to remove them. You can now install the power modules. A detailed description is provided with the power module.

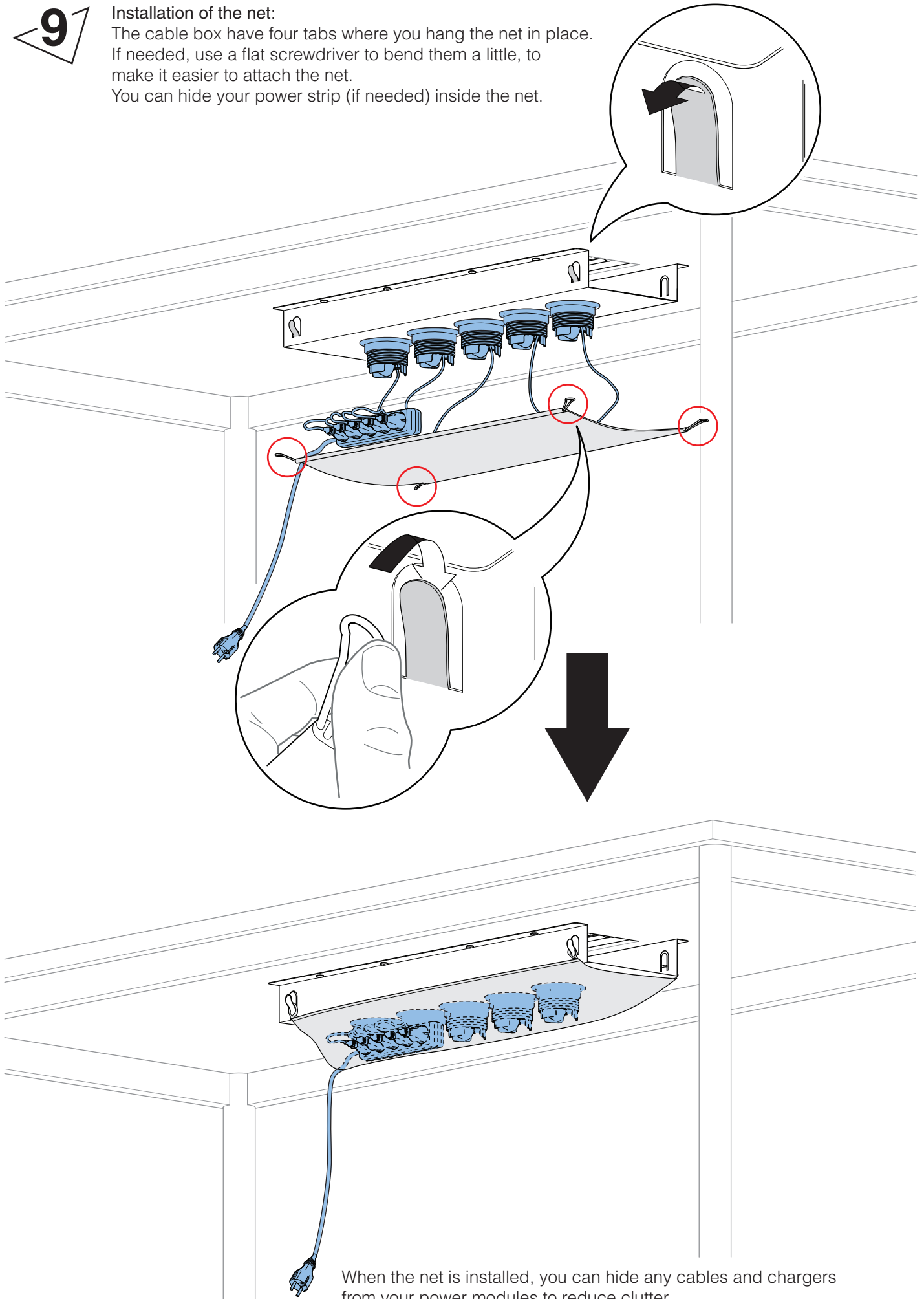


9

Installation of the net:

The cable box has four tabs where you hang the net in place. If needed, use a flat screwdriver to bend them a little, to make it easier to attach the net.

You can hide your power strip (if needed) inside the net.



When the net is installed, you can hide any cables and chargers from your power modules to reduce clutter.